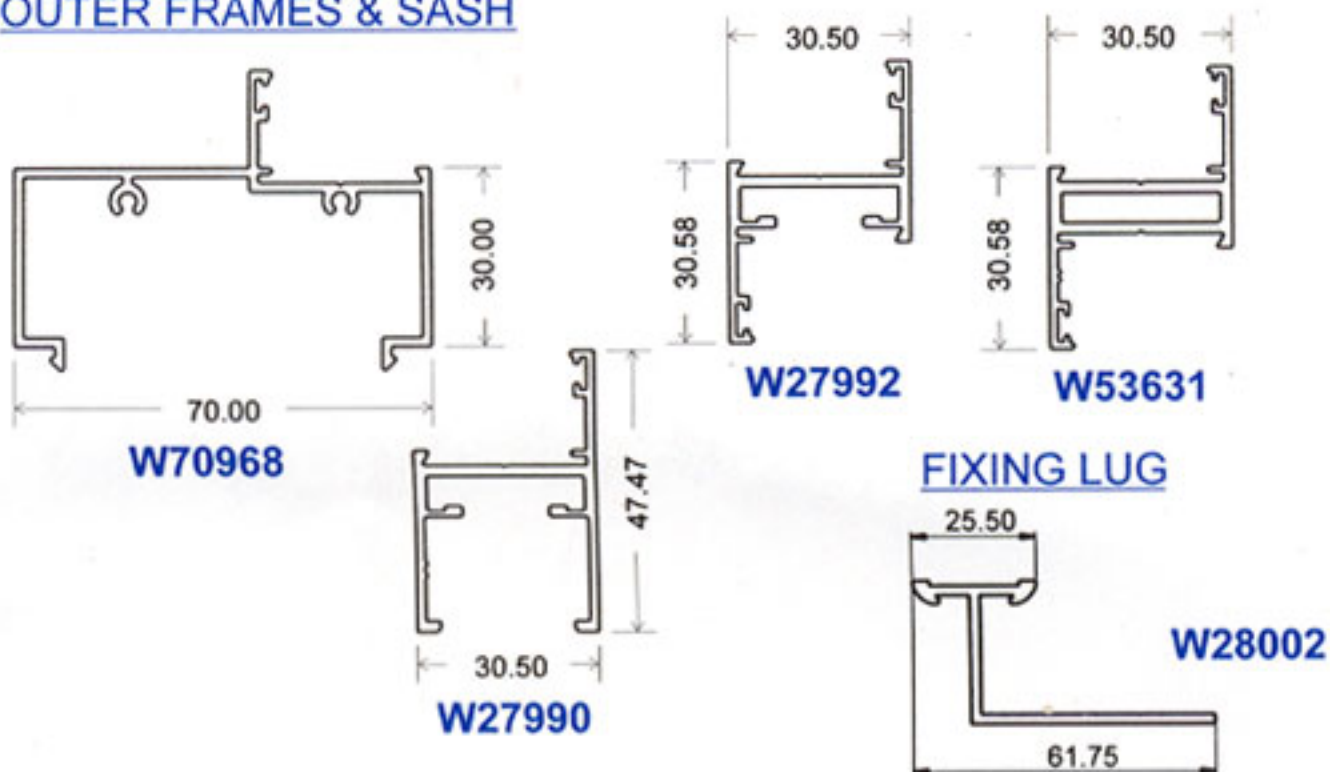
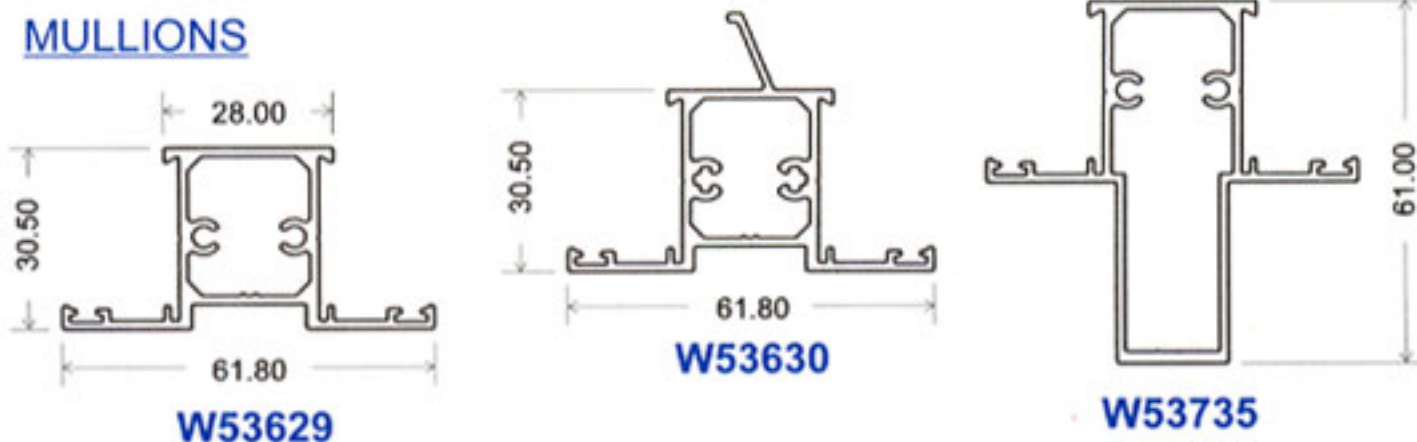


Casement 30.5

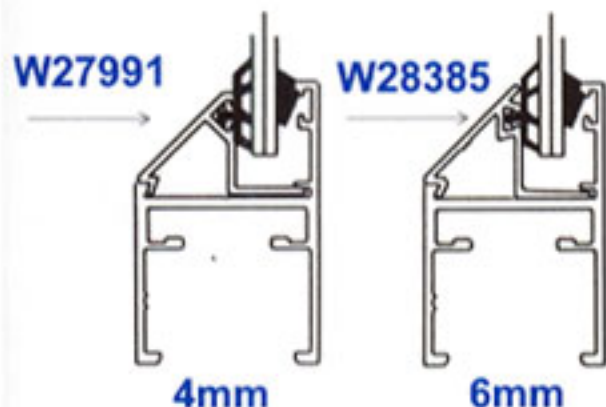
OUTER FRAMES & SASH



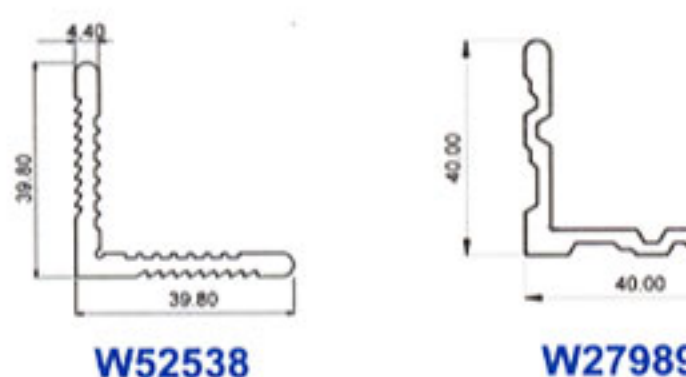
MULLIONS



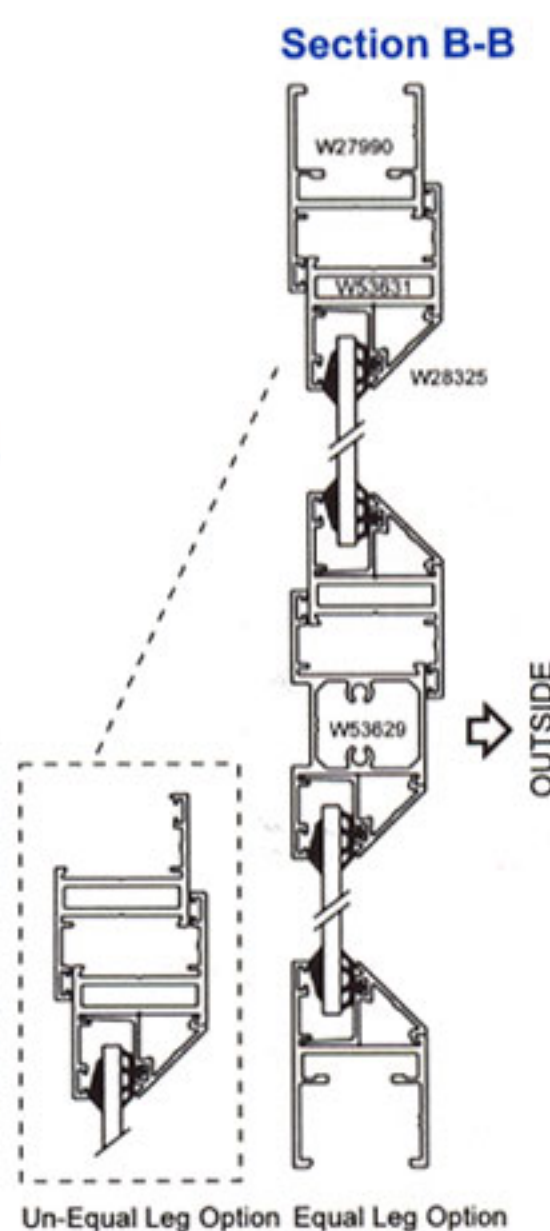
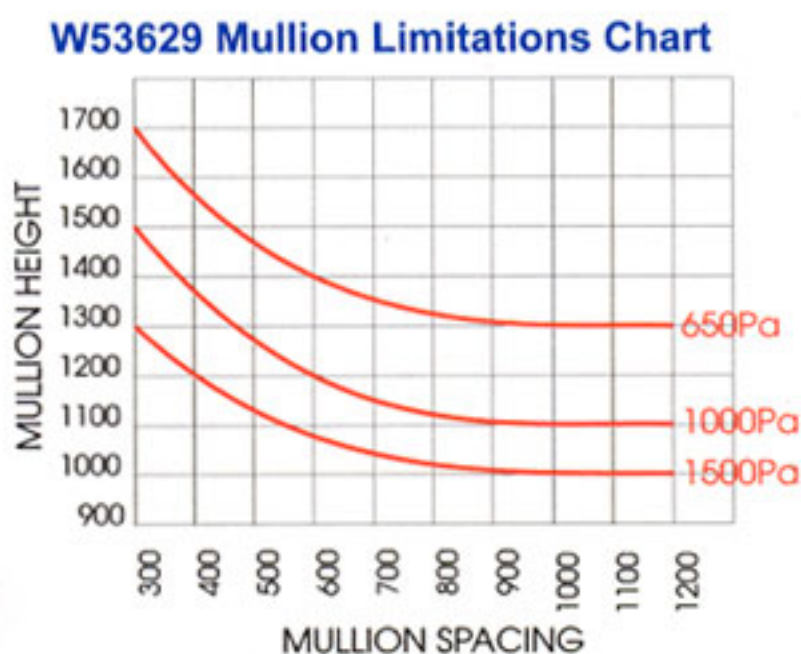
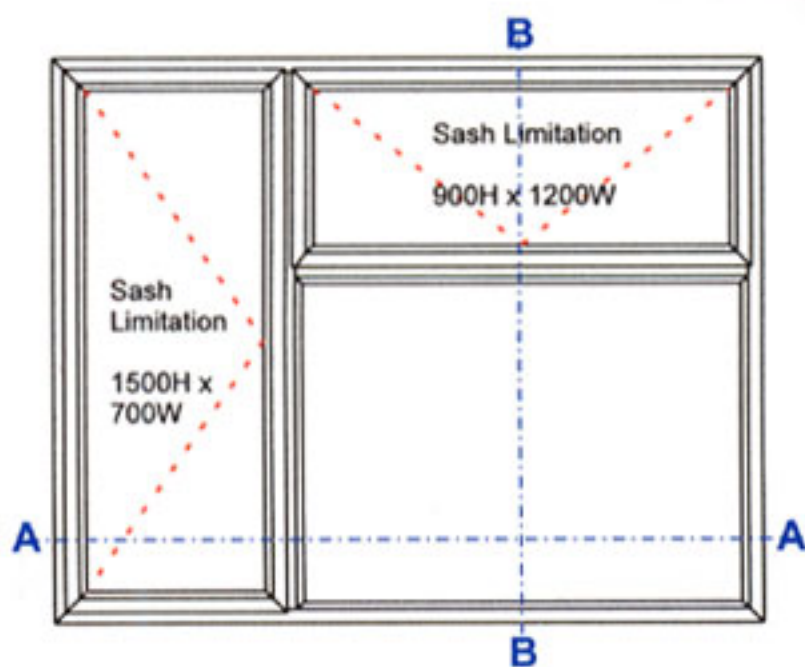
GLAZING BEAD OPTIONS



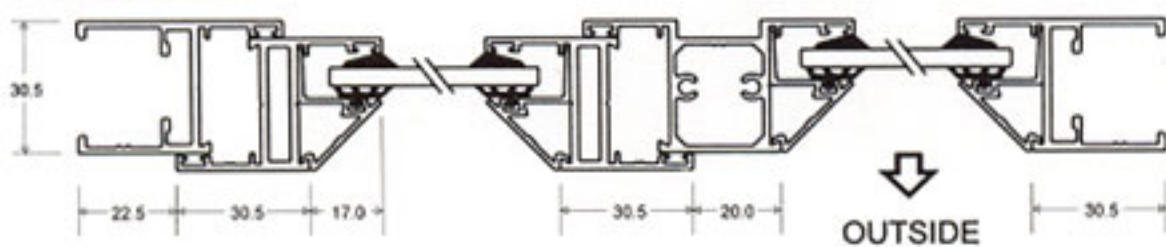
CORNER CLEATS



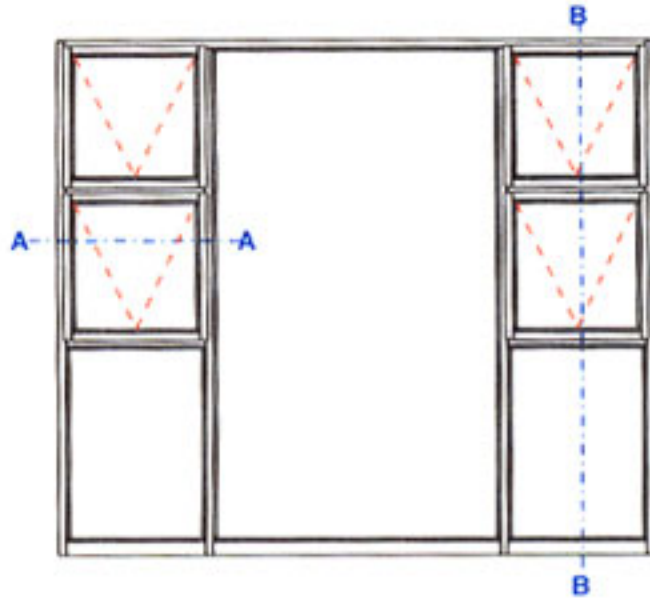
Assembly



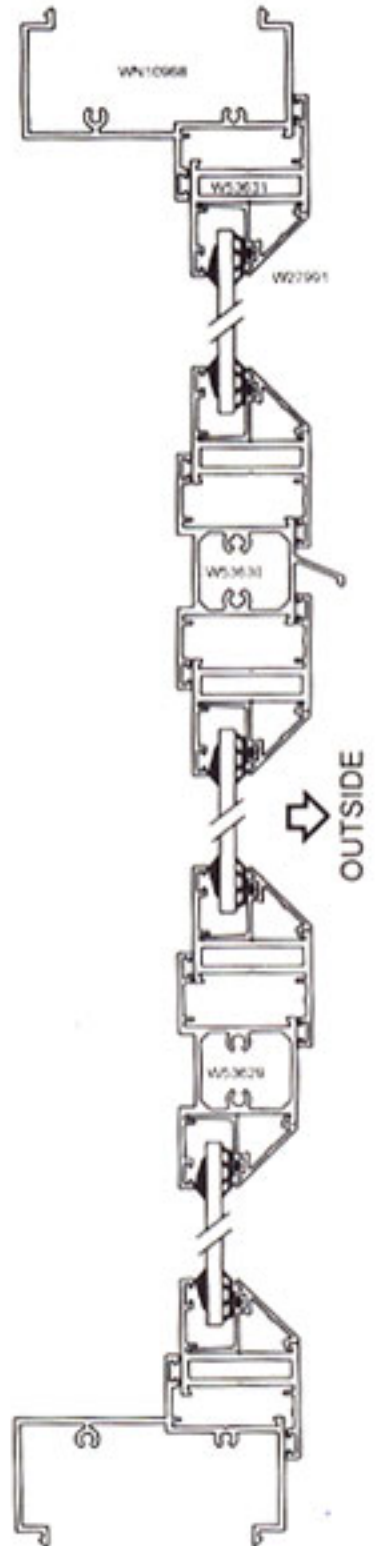
Section A-A



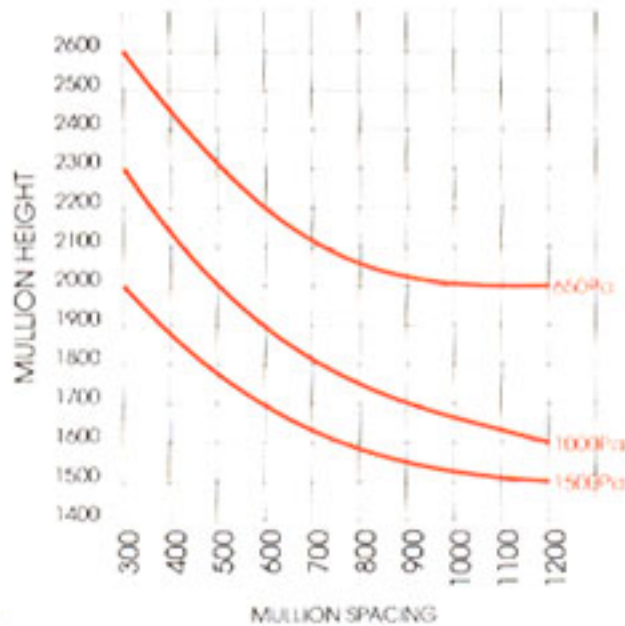
Heavy Duty Assembly



Section B-B



W53735 Heavy Duty Mullion Limitations



Section A-A

